

Pergola awning P40

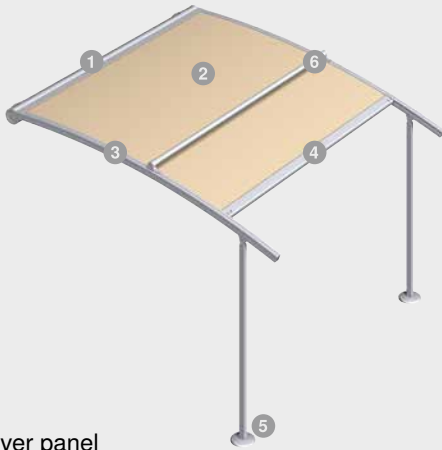
Information at a glance



Der SonnenLichtManager



Pergola awning P40, curved guide rails



- 1 Cover panel
- 2 Fabric
- 3 Lateral guidance with secudrive®
- 4 Projection profile
- 5 Floor connection
- 6 Reinforcement profile



► The benefits for you

- Individual use for sun shading and weather protection
- Extension of patio or commercial area
- Easy dismantling of guide rails and poles in the winter months
- No lateral light gap thanks to the two-dimensional guide secudrive®
- Guide rails can be optionally straight or curved
- The curved guide rail is an absolute design highlight

► Features

- Construction limit values:
 - max. width: 6,500 mm
 - max. depth: 7,000 mm
- Drive: motor optional: radio motor
- Powder-coated in accordance with WAREMA Colour World
- Fabric: Standard/Lumera acrylic fabric, optional: All Weather acrylic fabric, Perfora acrylic fabric, Soltis 92 fabric
- Model with straight and curved guide rails available
- Brilliant extras: travelling reinforcement profile, lowerable pole for use as rain protection, integrated LED strips, valance roller blind with crank, LED strip light rail, radiant heater
- Installation of the poles on on-site foundation or screw foundations, fixing of cover panels to house wall