



Drop-arm awning type 355

Convenient dual solution

Der SonnenLichtManager

WAREMA drop-arm awnings offer twice the enjoyment: pleasant shading and a view to the outside. Whether with attractive cover panels for enhancing the building or without cover panels for unobtrusive integration into the facade – drop-arm awnings offer individual design freedom. The mounting is optional even without drilled holes: by means of clamping supports in the balcony area. Here the drop-arm awning provides your home with a hint of Mediterranean charm.

Features

Max. width*	4,000 mm
Max. projection*	1,600 mm
Guidance	Laterally using drop arm with gas pressure spring
Projection angle	90-135°
Drive	Motor, radio motor, crank
Fields of application	Suitable for vertical glass surfaces and windows in punched facades. Use in the commercial building sector and in residential buildings, for new buildings, retrofitting and renovation, on the balcony using clamping supports, on the facade, in the reveal, in the shaft
Fabric	Screen, Soltis 92, Standard/Lumera acrylic, All Weather acrylic, Perfora acrylic, Twilight Pearl/Metal, WAREMA SecuTex fabric A2

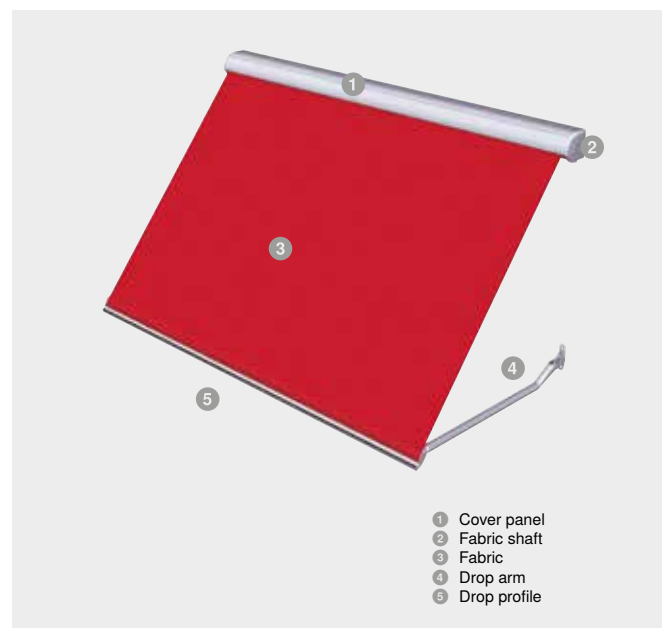
* construction limit values: depending on type

The benefits for you

- View to the outside using the projection effect with simultaneous sun shading
- Can also be used without fixing to the structure, using clamping supports (type 330)

Brilliant extras

- Optionally available with valance



- 1 Cover panel
- 2 Fabric shaft
- 3 Fabric
- 4 Drop arm
- 5 Drop profile